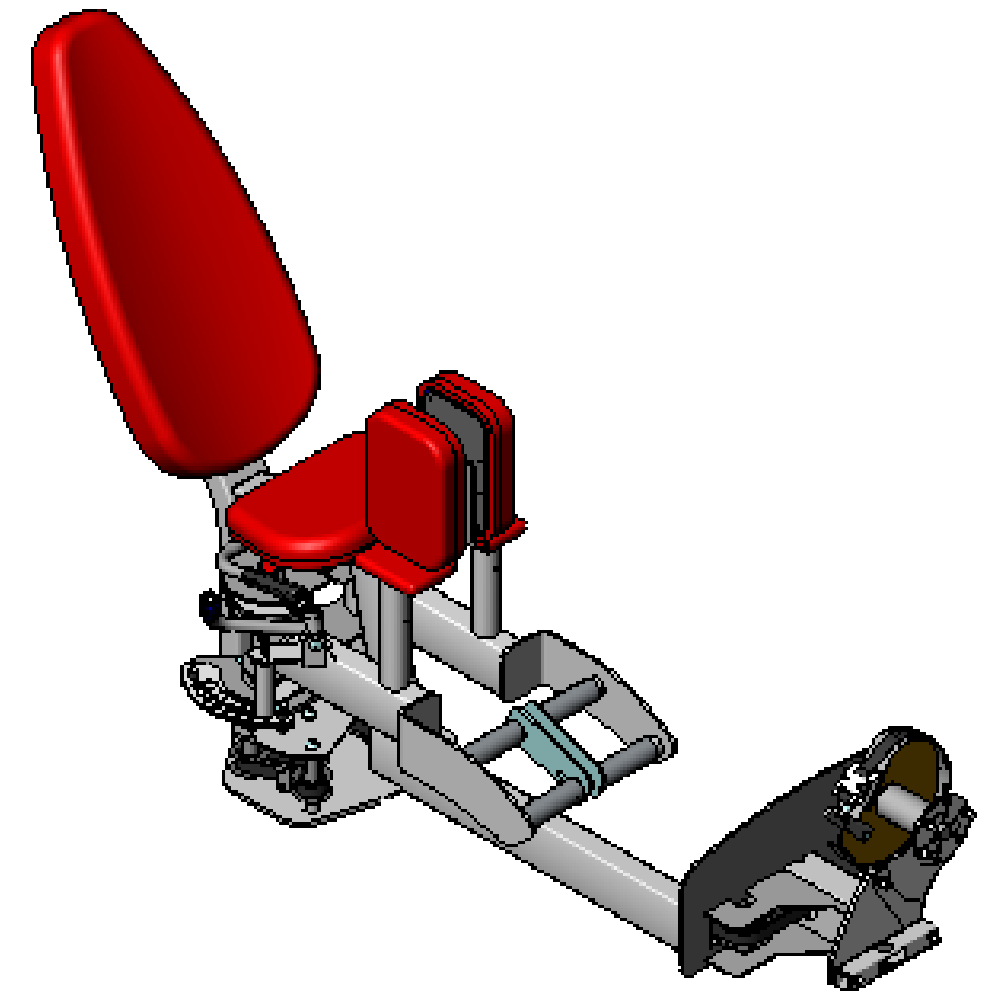




FOR DETAILED PARTS VIEW
SEE ATTACHED SHEETS

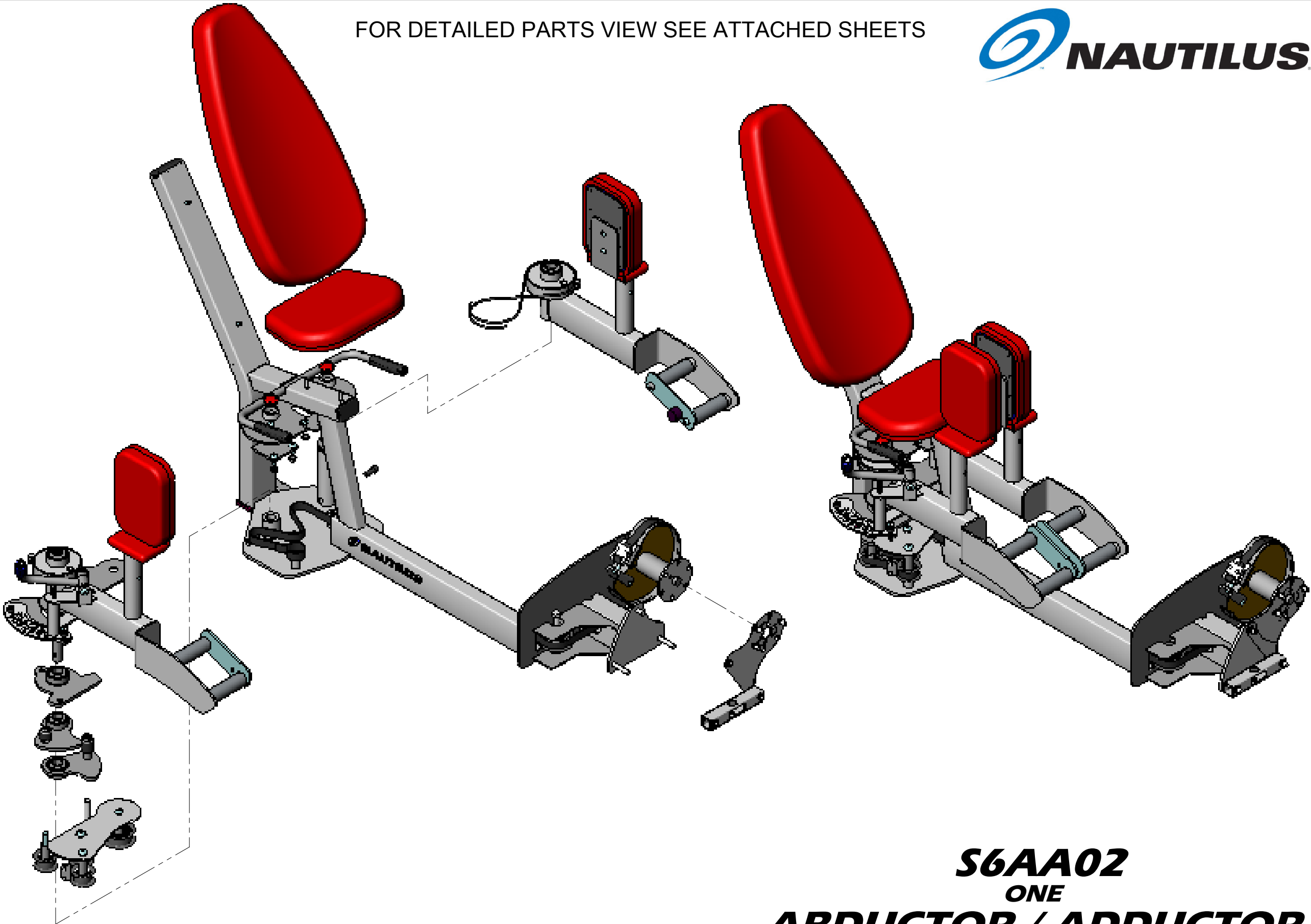


ITEM NO.	PART NUMBER	QTY.	DESCRIPTION	ITEM NO.	PART NUMBER	QTY.	DESCRIPTION
1	67-1204B	1	Jackshaft Weight Drive	54	09-8995	2	S3AA LEG PAD BUSHING
2	66-1208B	1	S6AA02 SEAT FRAME ASSY.	55	56-0184	1	STANDARD STOP
3	64-1225B	1	S6AA02 MOVEMENT ARM RH	56	56-0142	3	INSERT TAPPED GRIP ATTACHMENT
4	64-1226B	1	S6AA02 MOVEMENT ARM LH	57	56-0115	2	CAP END AXIS INDICATOR
5	62-1223	1	S6AA RELEASE HANDLE	58	56-0157	2	FOOT GUARD PLATE
6	63-1221	1	CONTROL LINK	59	56-0182	1	SELECTOR PIN
7	63-1225	2	LINKAGE, STANDARD	60	56-0156	1	BASE PLATE
8	MA636	2	MOVEMENT ARM SWIVEL	61	56-0373	1	MOUNT PLATE
9	32-0022	1	UPH. PAD BACK LONG	62	56-0158	1	MOUNT PLATE
10	UP8146	2	NITRO HAA KNEE PAD	63	56-0154	1	MOVEMENT ARM STOP
11	UP8147	1	SEAT BOTTOM	64	56-0155	1	MOUNT PLATE
12	56-0181	1	CLAMP BELT ADJUSTABLE	65	56-0186	1	STOP SLEEVE
13	56-0217	1	Clamp Belt ONE	66	01-4063	3	BUTTON HEAD SOCKET CAP SCREW 3/8 -16 x 2 1/2" BRIGHT ZINC
14	56-0174	1	Clamp mount	67	02-4147	1	BUTTON HEAD SOCKET CAP SCREW, 1/2 -20 x 2" UNF BRIGHT ZINC
15	12-5651	1	S6 INSTRUCTION PLACARD S6AA2	68	03-1035	2	3/8" Lock Nut
16	12-5652	1	S6 LENTICULAR S6AA2	69	01-4030	4	1/4 -20 UNC x 1 Wiz Lock Bolt
17	12-5669	1	S6 INSTRUCTION PLACARD FOAM	70	03-4290	2	1/4" Whiz Nut
18	18-0017 (108")	1	MECTROL BELT 1" (108")	71	03-9070	5	1/2" Hex Jam Nut Thin
19	56-0392	3	CAP END DECORATIVE	72	01-1331	4	1/2 -13 UNC x 2 3/4 Bolt
20	56-0365	1	Jack Shaft Support	73	01-1271	5	1/2 -13 UNC x 1 1/4 Bolt
21	56-0368	1	Caster Mount	74	01-1550	2	3/8 -16 UNC x 3 Bolt
22	09-3055	1	2 X 4 11 GA FRAME PLUG	75	03-1055	15	1/2" Lock Nut
23	09-2090	1	2 X 3 X 11 GA FRAME PLUG	76	02-2290	3	SCW-FHSCS 0250-20x1.25 G8-SS
24	12-5655	1	S6AA RANGE DECAL	77	01-4071	2	BUTTON HEAD SOCKET CAP SCREW, 1/4 -20 x 2 1/4" BRIGHT ZINC
25	12-5619	2	TRANSFER DECAL NAUTILUS X-SMALL BLACK	78	03-2020	2	1/4" Lock Nut
26	08-6075	3	LINKAGE SPACER	79	01-4058	2	BUTTON HEAD SOCKET CAP SCREW, 1/2 -13 x 4" - BRIGHT ZINC
27	07-9350	2	MOVEMENT ARM STOP	80	01-4053	11	BUTTON HEAD SOCKET CAP SCREW, 1/2 -13 x 1" BRIGHT ZINC
28	07-8982	2	STRAP CLAMP END (5/16 HOLES)	81	02-4178	4	SOCKET HEAD CAP SCREW, 1/2 -13 UNC x 1 1/4 BRIGHT ZINC
29	10-2031	1	SPRING, COMP. .480 X 2.500 X .045	82	01-4075	1	BUTTON HEAD SOCKET CAP SCREW, 1/2 -13 x 1 1/4" BRIGHT ZINC
30	56-0183	3	STOP SPACER	83	01-1490	1	5/8-11 UNC x 2 Bolt
31	09-8323	4	2" MOLDED PULLEY	84	01-4054	2	BUTTON HEAD SOCKET CAP SCREW, 1/2 -13 x 1 1/2" BRIGHT ZINC
32	05-2012	1	BRASS BUSHING HEADLESS	85	01-4051	4	BUTTON HEAD SOCKET CAP SCREW, 3/8 -16 x 1" BRIGHT ZINC
33	05-1190	2	Bronze Bushing	86	01-4089	3	BUTTON HEAD SOCKET CAP SCREW 5/8 -11 x 4" BRIGHT ZINC
34	06-2010	1	CONNECTIN LINK RF2040	87	03-1067	1	5/8" Lock Nut
35	06-3070	1	CBR #12 DONUT	88	01-2230	1	5/8-11 UNC x 5 Bolt
36	06-4076	2	CABLE W/STOP S4PF FIGURE 8	89	91-999	1	Paint (1.5 lbs)
37	07-9935	2	MOVEMENT ARM AXLE				
38	07-7084	2	3/8 X 1 ROLL PIN				
39	07-4005	1	Efson PF1008				
40	07-9433	1	SLEEVE S3AA HANDLE				
41	07-9938	1	STOP SPACER, 2 1/2				
42	07-9937	1	STOP SLEEVE				
43	07-1160	10	Roller Bearing 7516				
44	07-9958	1	STOP SPACER, 2				
45	07-9814	1	LINKAGE BUSHING				
46	09-5045	1	NITRO SERIES MOLDED FOOTPAD				
47	09-1102	4	1.438 ID X 5 1/2 OPEN END GRIP				
48	09-3093	2	PLUG HOLE RED 1 3/4 OD X 1 3/8 ID X .5 LONG				
49	56-0401	1	GRIP HANDLE 7/8" DIA Blue				
50	09-8327	2	REDIRECTIONAL PULLEY 3"				
51	09-4076	1	BUMPER LORD J-11729-195				
52	56-0400	2	GRIP HANDLE 7/8" DIA GREY				
53	09-8996	2	S3AA LEG PAD BUSHING				

Last Rev Date: 10/5/09

**S6AA02
ONE
ABDUCTOR / ADDUCTOR
Parts Diagram**

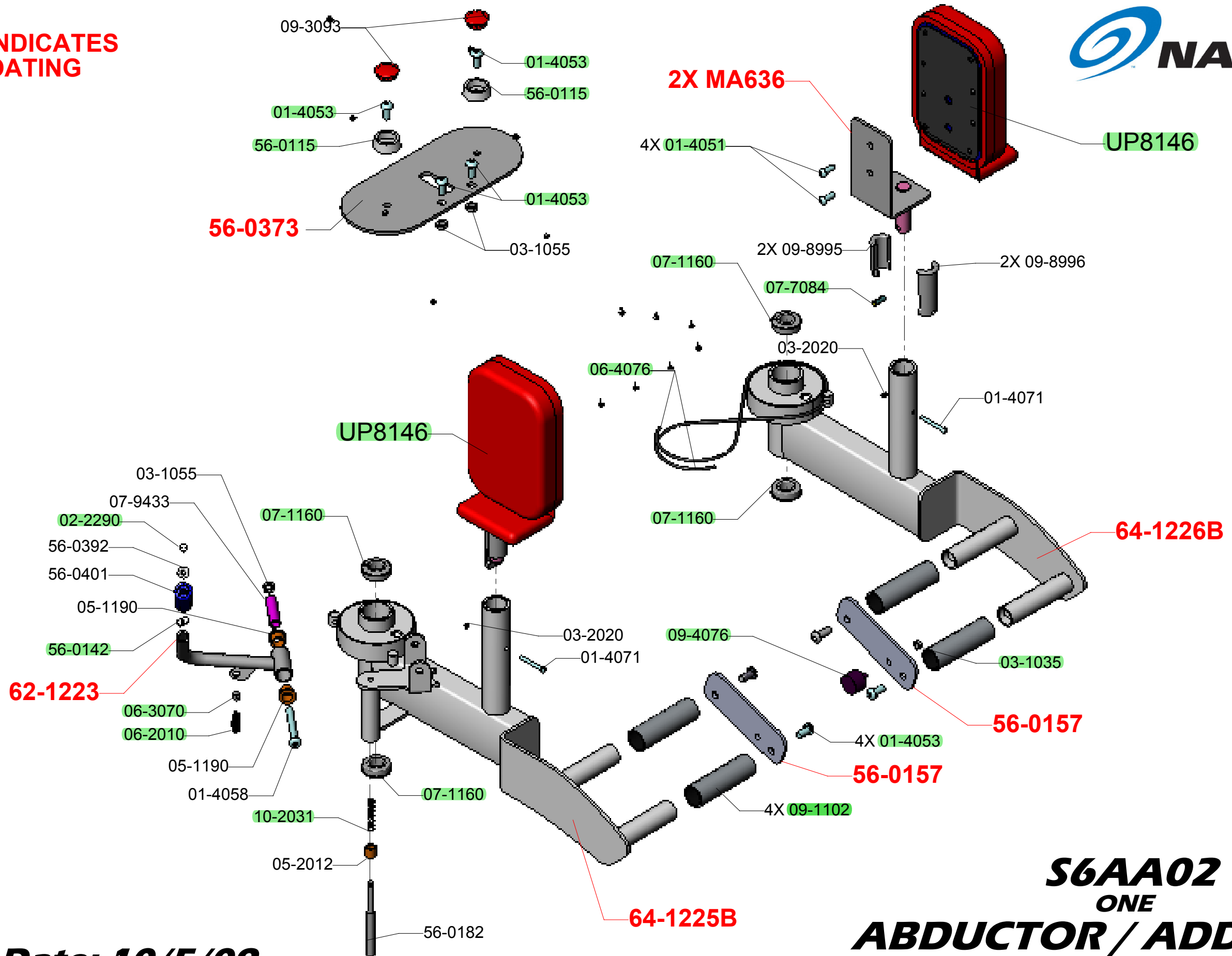
FOR DETAILED PARTS VIEW SEE ATTACHED SHEETS



Last Rev Date: 10/5/09

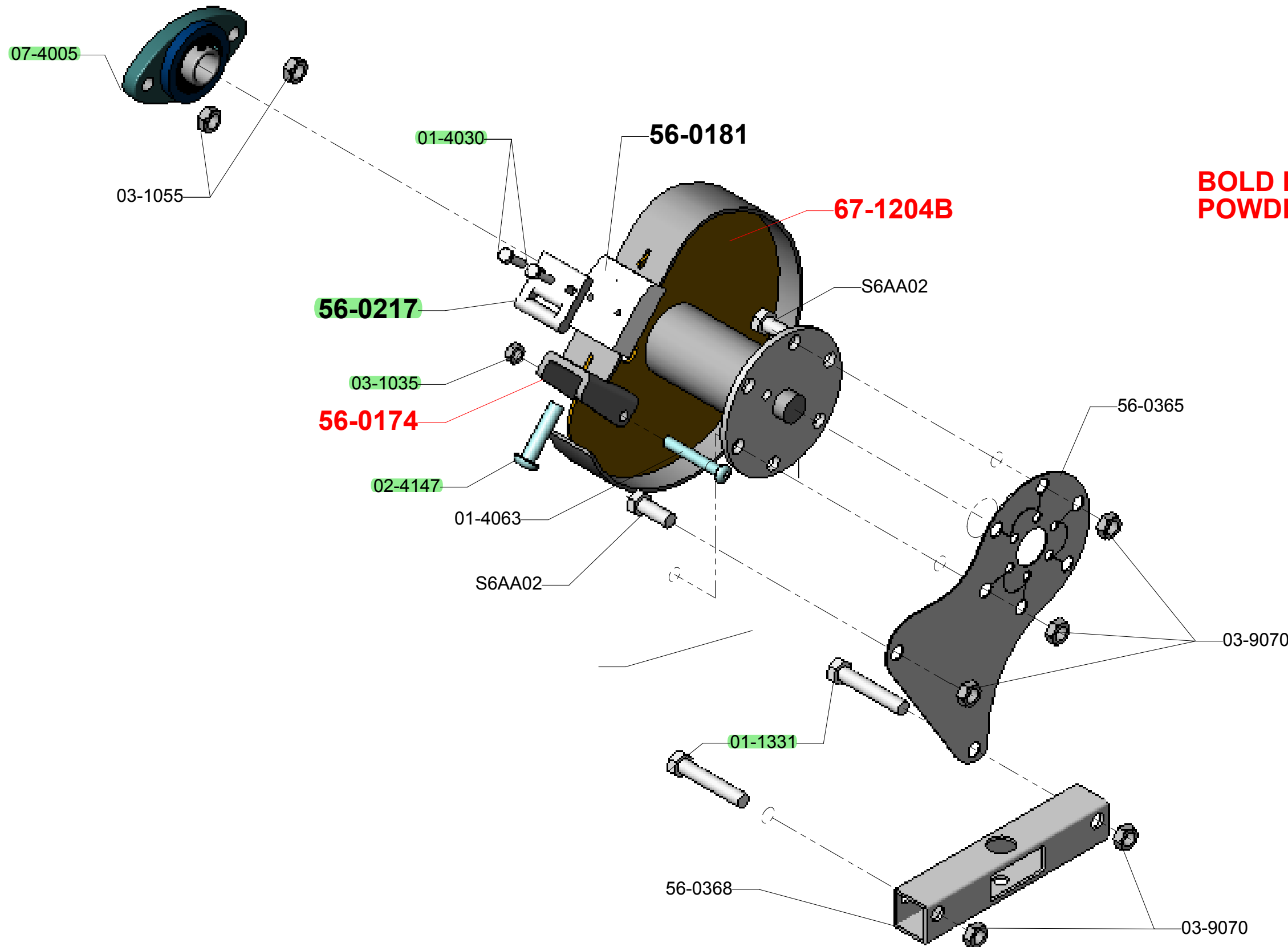
S6AA02
ONE
ABDUCTOR / ADDUCTOR
Parts Diagram

**BOLD RED INDICATES
POWDER COATING**



Last Rev Date: 10/5/09

**S6AA02
ONE
ABDUCTOR / ADDUCTOR
Parts Diagram**

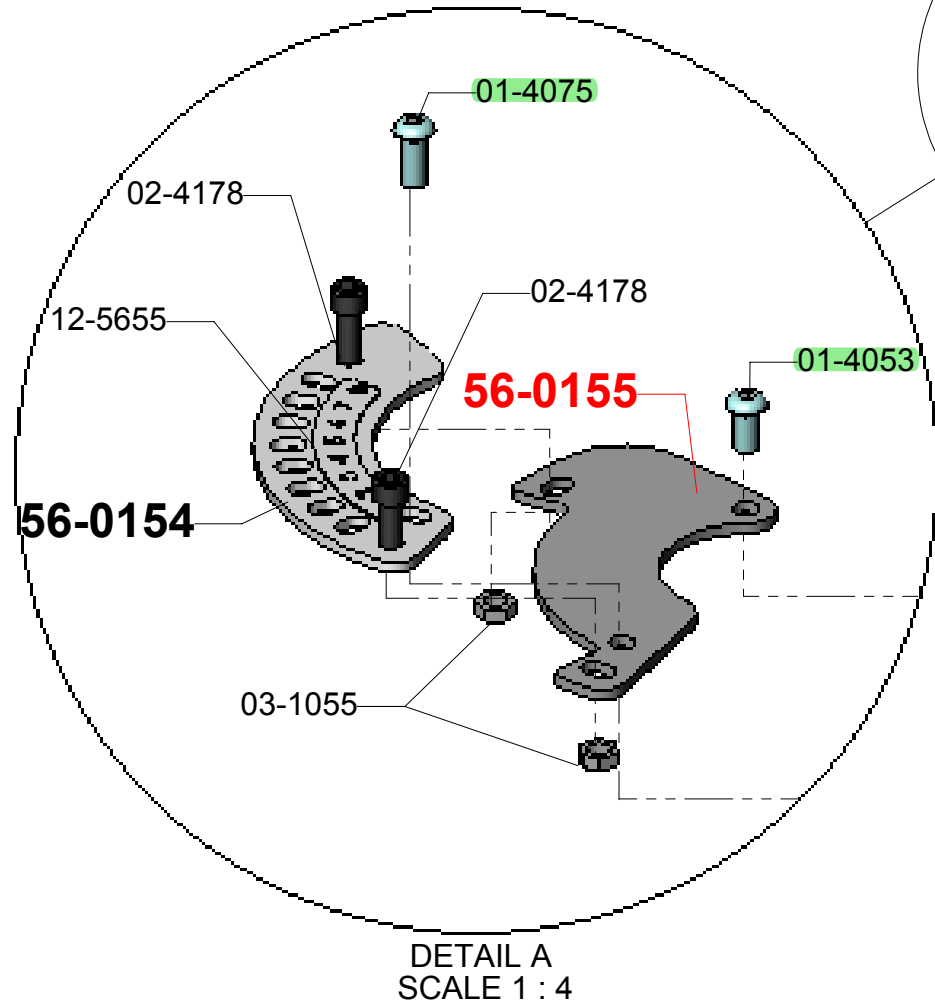


**BOLD RED INDICATES
POWDER COATING**

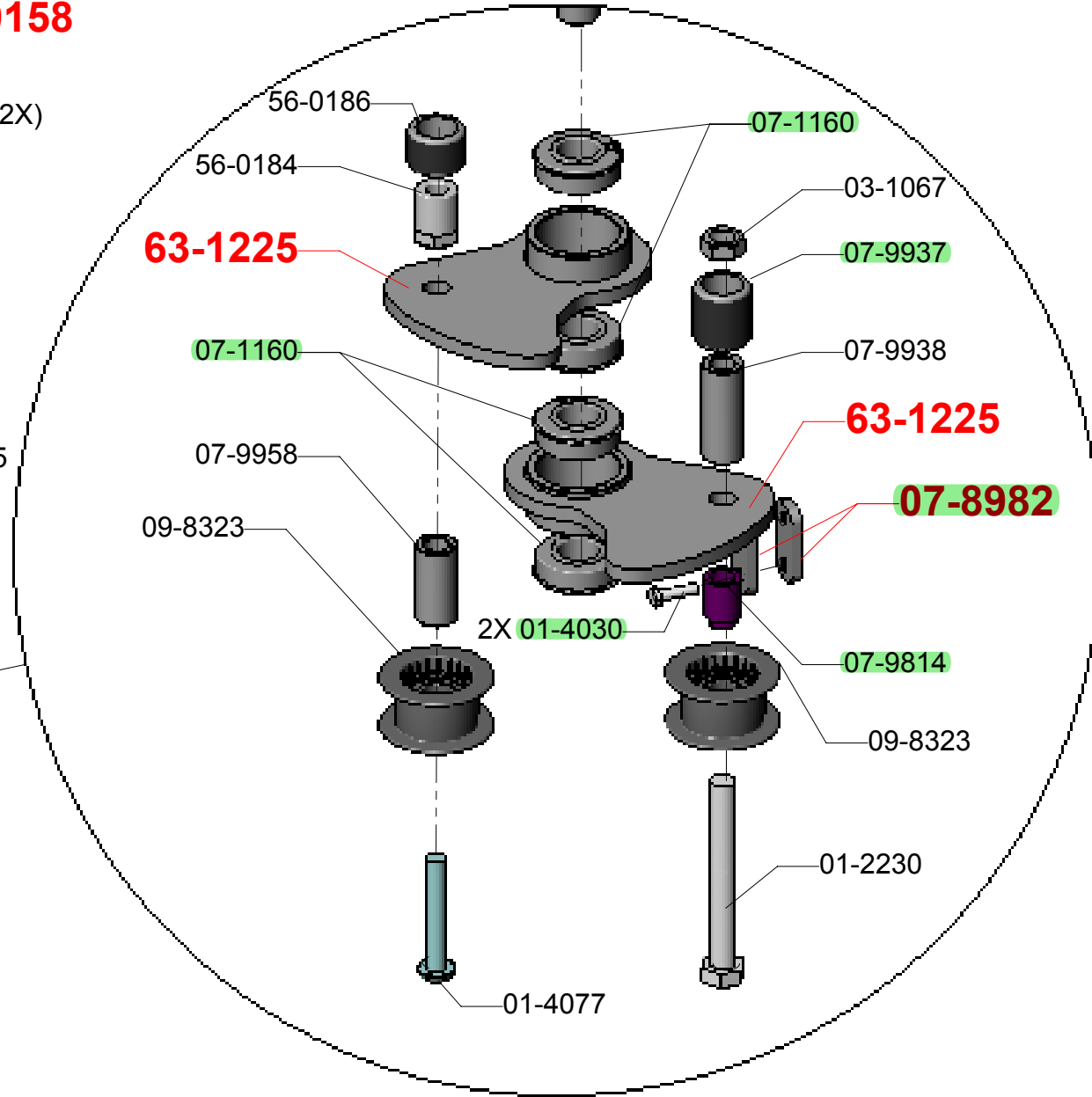
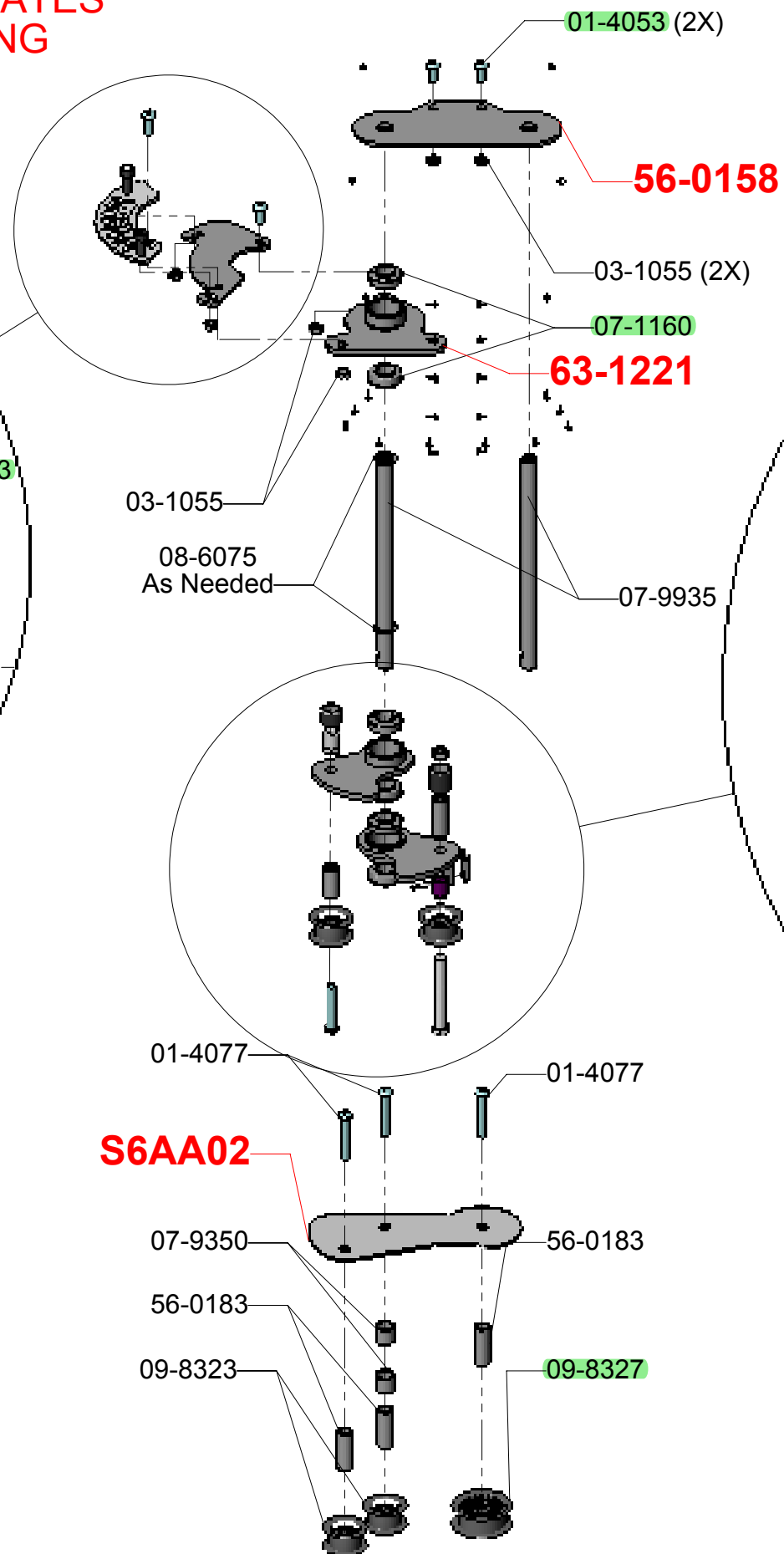
Last Rev Date: 10/5/09

**S6AA02
ONE
ABDUCTOR / ADDUCTOR
Parts Diagram**

**BOLD RED INDICATES
POWDER COATING**



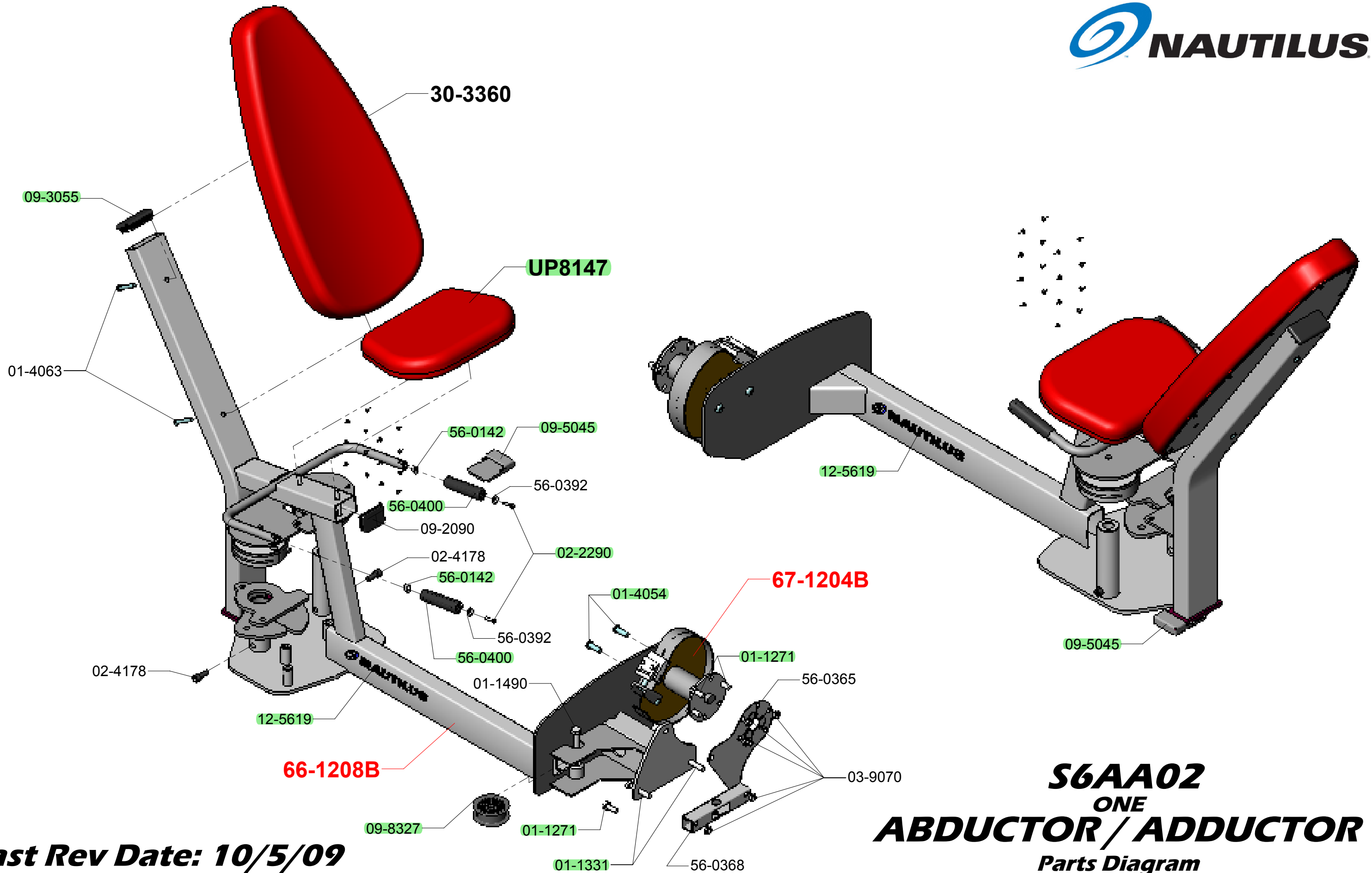
DETAIL A
SCALE 1 : 4



DETAIL B
SCALE 1 : 4

Last Rev Date: 10/5/09

**S6AA02
ONE
ABDUCTOR / ADDUCTOR
Parts Diagram**



Last Rev Date: 10/5/09

**S6AA02
ONE
ABDUCTOR / ADDUCTOR
Parts Diagram**

SOM ITEMS REMOVED
FOR CLARITY AND
ILLUSTRATIVE PURPOSES

3X 09-8323
2" Pulley

09-8327
3" Pulley

18-0017 (108")

03-4290

07-8982

01-4030

DETAIL C
SCALE 1 : 2.5

01-4030

09-8327
3" Pulley

DETAIL D
SCALE 1 : 3

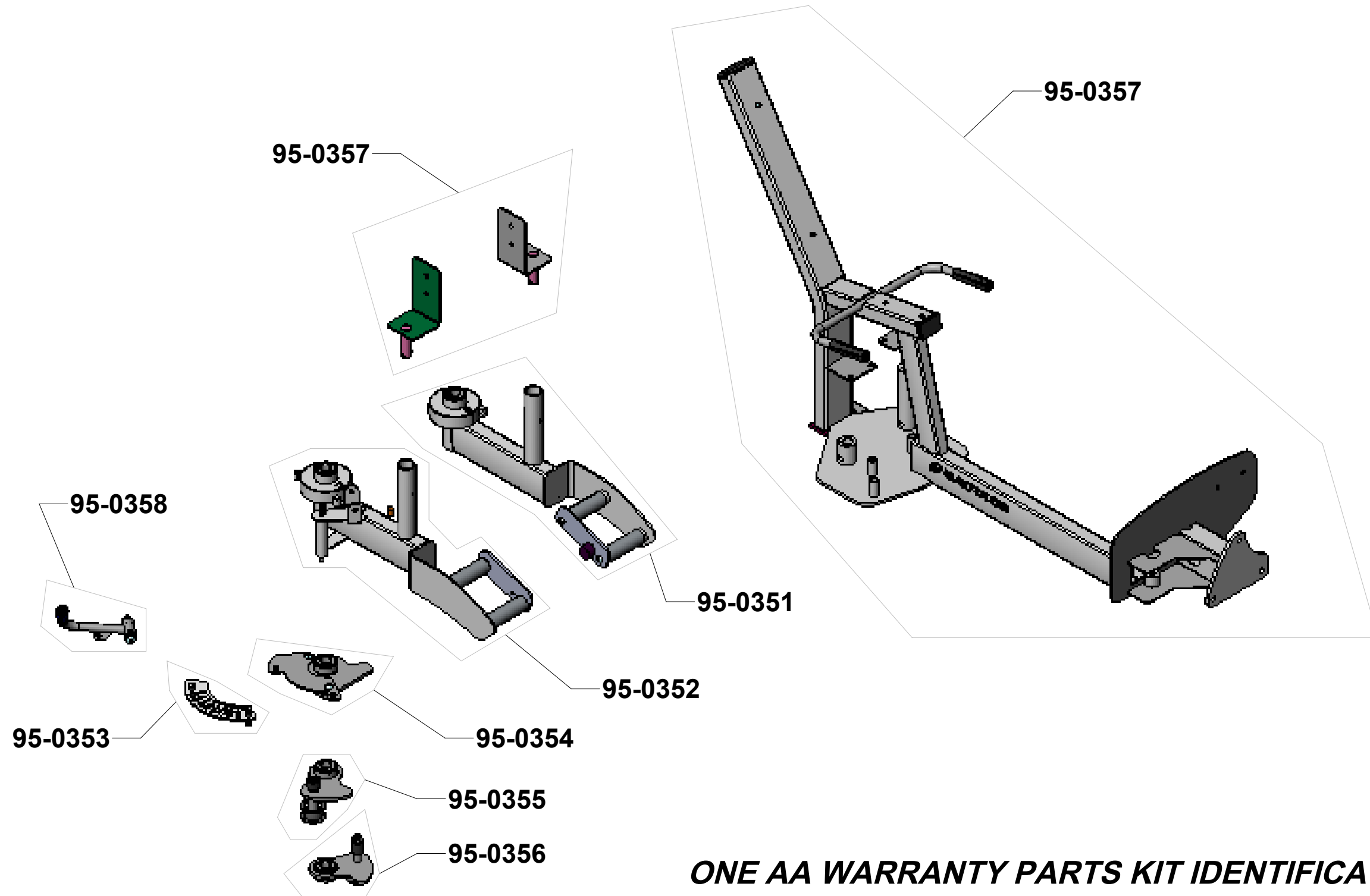
Last Rev Date: 10/5/09

S6AA02
ONE
ABDUCTOR / ADDUCTOR
Parts Diagram



Red: PAINTED ITEMS
Blue: KITS

1. All labeled components are to be assembled before shipment unless otherwise noted.
2. All bearings are to be pressed in with force applied to outer ring only.
3. All hardware to be torqued to specs listed in chart below.
4. Special notes if any are shown below.



ONE AA WARRANTY PARTS KIT IDENTIFICATION
S6AA2

Bolt Torque Specifications		
Size	Grade 5	Grade 8
	Torque (ft-lbs)	Torque (ft-lbs)
1/4-20	8	12
1/4-28	10	14
5/16-18	17	25
3/8-16	30	45
7/16-14	50	70
1/2-13	75	110
1/2-20	90	120
5/8-11	150	220
5/8-18	180	240